

do more

taskaprosthetics.com



 **TASKA™**

10 Nelson Street, Riccarton, Christchurch 8011, New Zealand.



Lamination Collar Installation Guide

Quick Disconnect Wrist V1.1

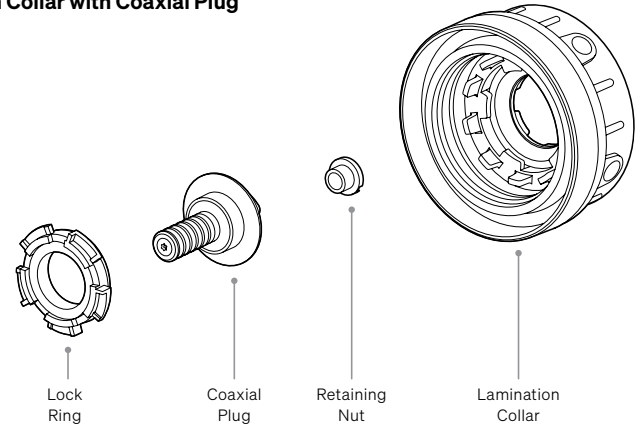
 **TASKA™**

Lamination Collar

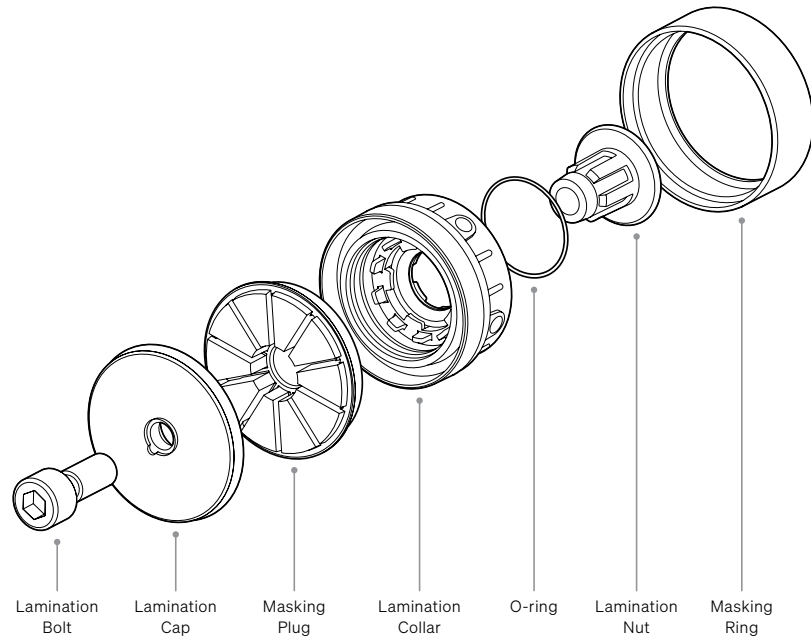
The Lamination Collar uses the industry-standard quick disconnect interface which can connect to various terminal devices. It creates a waterproof wrist connection only when paired with a Quick Disconnect TASKA HandGen2 and the matching Seal Ring. See our website for compatibility.

The interface between the Lamination Collar and our Coaxial Plug is unique to TASKA, meaning the collar cannot be fitted with other plugs.

Lamination Collar with Coaxial Plug



Lamination Collar with lamination accessories



Lamination Collar installation

Follow your preferred lamination procedure to install the Lamination Collar into the socket.

- ▲ TASKA does not accept responsibility for the waterproofing between the Lamination Collar and the socket.
- ▲ Avoid damaging or getting glue/resin on the sealing surface of the Lamination Collar (see figure 1). Doing so may compromise the waterproof seal of the wrist connection and will require replacement of the collar.

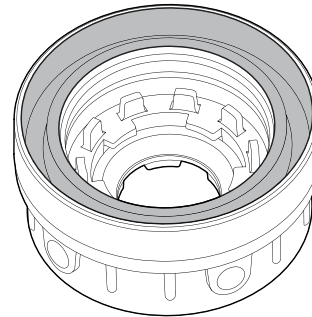


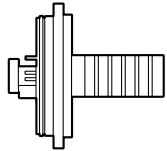
Figure 1: sealing surface on the TASKA Lamination Collar (shown as solid grey area).

Accessories are provided with the Lamination Collar to assist you in the lamination process. Here are some helpful tips:

- The Lamination Bolt may be used to secure the Lamination Collar or Lamination Cap to an alignment jig.
- The internal features of the Lamination Collar can be protected by bolting the full assembly together, including the Masking Plug and O-ring.
- The external features of the Lamination Collar can be protected by covering it with the Masking Ring.

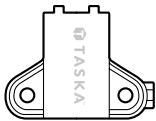
Coaxial Plug installation

Components:



Coaxial Plug Assembly
(includes Blanking Plugs)

Tools required:



Coaxial Plug Installation Tool

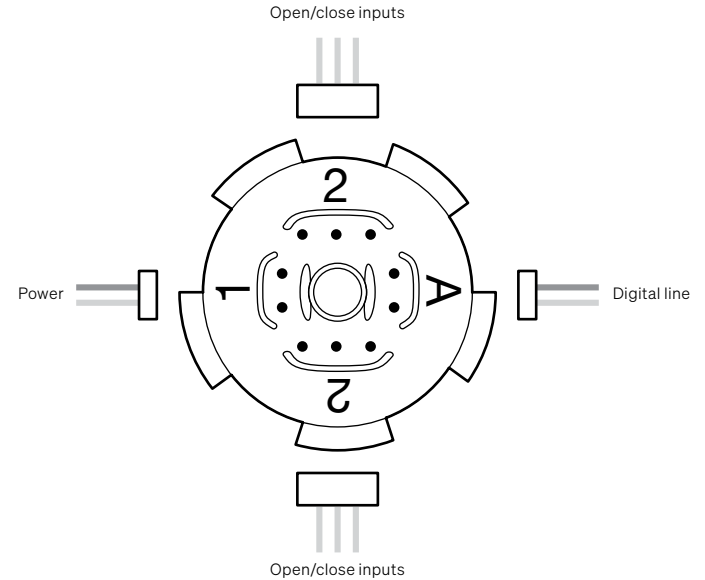
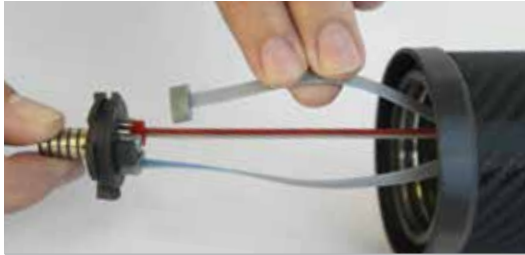


Figure 2: cable to Coaxial Plug connection guide.



Check the Lock Ring is properly seated on the Coaxial Plug.



Feed cables through the Lamination Collar and plug cables into the pins on the Coaxial Plug.

1. Check that the Lock Ring is properly seated on the Coaxial Plug.
2. Using the screwdriver on the end of the Coaxial Installation Tool, remove the Retaining Nut and unrequired Blanking Plugs from the back of the Coaxial Plug.
3. Feed electrode and power cables through the opening of the installed Lamination Collar.
4. Use a small bead of Silicone Grease, as recommended by the sensor system manufacturer, on each of the Coaxial Plug pins. This is to seal the plug connection from sweat or excessive moisture.



Gently tighten the Retaining Nut using the Installation Tool.



Insert the Coaxial Plug and Lock Ring on the Lamination Collar.



Use the Coaxial Installation Tool to secure the assembly.

5. Plug the cables into the appropriate pins on the Coaxial Plug (see figure 2) and remove any extra grease.
6. Secure the cables using the Retaining Nut, tightening with the Installation Tool.
7. Using the Coaxial Installation Tool, secure the assembly by pressing down and rotating the Lock Ring clockwise until it clicks into place.
8. Attach a TASKA Hand to check the functionality of the connections.



Use the Coaxial Installation Tool to release the Coaxial Plug.



Pull out the Coaxial Plug to remove.

Coaxial Plug removal

The Coaxial Plug can be removed if required using the Coaxial Installation Tool.

1. Use the Coaxial Installation Tool to press down and rotate anti-clockwise to release the Coaxial Lock Ring.
2. Pull the Coaxial Plug out to remove.